

Are you looking for robust hand pallet trucks for all applications?

We can offer you the complete range.

**JUNGHEINRICH**
Machines. Ideas. Solutions.



Do you need a pallet truck which fulfils your requirements precisely? Then we have it.

Do you have a problem? If so we can deliver the solution. The classic hand pallet truck for transporting pallets between locations. Capable of carrying heavy loads or reduced height for low drive-in clearances. Versions

with weighing systems or scissor lift functions. In resistant zinc or stainless steel suitable for use in the food industry. With or without a motor assistance.



AM 22



AM 15L



AM 30



AMW 22/22p



AMX 10/10e



AM V05



AM I20/I20p



AM G20



AMX I10/I10p
AMX I10e
AMX I10ep



HC 110



EME 114



JUNGHEINRICH

Our classic option: The AM 22.

Your entry model into manual pallet transportation.

The world's best selling truck in its class.

Comfortable and precise

The smooth controls are equally suitable for both left and right-handed operators to handle loads comfortably and easily. The special lowering valve enables loads to be lowered precisely.

Quiet and robust

The Teflon bushes and joints provide quiet running and an exceptionally long service life.

Effortless and simple

The optimised hydraulic system reduces the pumping action required. The bushes on the wheels reduce the required drawbar pull.

Stable and durable

More stable forks. Welded tiller mounting. Protected entry rollers. Hardened steel. These are the prerequisites for maximum stability and durability. The AM 22 proved this in our continuous load test. Even after 30,000 lifts, it showed no signs of wear.

Compact and manoeuvrable

The significantly reduced front end length guarantees maximum manoeuvrability even in confined spaces.

Clear and distinct

Embossed markings on the truck indicate the exact, secure pallet position required for crossways lifting.

Saving time and power

With the fast lift (optional) it is possible to lift a 120 kg loaded Euro Pallet clear of the ground with just 3 pumps. And then reach the maximum lift height with just 5 pumps.



Shhh! The AM 22 is also available with reduced noise – up to 50 % quieter!

Not all loads are the same. That's when you turn to our specialist trucks.



It even goes underneath: Our AM 15l

Our AM 15l is ideal for pallets with a short entry height. The small fork height of just 51 mm enables it to handle flat pallets of all types.

- 1,500 kg capacity
- 795/950/1,150 mm fork length
- Fast lift (up to 120 kg)
- Unique controls
- Compact and manoeuvrable
- Robust and durable

When you have something heavy to move: Choose our AM 30

With its extraordinarily high capacity of 3,000 kg, our AM 30 is truly a universal truck. It doesn't matter if your loads are very heavy or are unusually sized. This is where its advantages really count.

- 3,000 kg capacity
- 1,220/1,600/1,800/2,100 mm fork length
- Reinforced frame
- Quick lift (up to 120 kg)
- Unique controls
- Robust and durable





A solution for your special pallets: The AM V05

Our AM V05 is the ideal solution for lifting half, quarter and special Euro pallets. It offers you genuine advantages wherever you need to move display pallets frequently, e.g. in sales rooms. The forks can be adjusted manually between 140–585 mm, allowing small special pallets to be transported as well. Naturally, it also copes with standard Euro pallets.

- 500 kg capacity
- Manually adjustable width across forks
- Quick lift (up to 120 kg)
- Controls suitable for both left and right-handed operators



Do you want to weigh your loads? Or lift them to a convenient height?

Our pallet trucks can also do this.

Transporting and weighing: Our AMW 22/22p

Our AMW 22 and AMW 22p hand pallet trucks are mobile weighing systems for warehouses, production and shipping applications. Wherever goods need to be weighed and transported, their ability to take the “scales to the goods” makes these trucks the perfect solution.

For example, our basic AMW 22 suits any application area, offering efficient but precise weighing with its 4 weigh cell technology. A 1 kg incremental display and max. 0.1% deviation from the measuring range are just the right solution for many applications.

Our AMW 22p is even more professional. Its wide range of functions makes this weighing pallet truck ideal for all your applications. Maximum precision (at least 99.9% of the weighed weight) and the intelligent battery exchange module combine to make our AMW 22p a first-rate truck.

Options:

- Unit counting, date and time
- Multi-range display (0.1–200 kg; 0.2–500 kg; 0.5–2200 kg)
- Integrated printer
- Calibrated version





Our AMX 10/10e will meet your needs

Our AMX 10 (manual hydraulics) and our AMX 10e (electro-hydraulic) can be used as hand pallet trucks as well as lifting tables, supply tables and workbenches. The lift height for both models is 800 mm.

AMX 10 with manual hydraulics: The load can be brought to an optimum work height with just a few movements of the tiller. Our scissor lift pallet truck is stabilised by additional support legs from a specified fork height.

AMX 10e with electro-hydraulics: We recommend our electric motor scissor lift trucks for applications where the work height changes frequently. The work height can be easily adjusted at the touch of a button.

- Single lift cylinder for easy maintenance
- Enclosed fork tips
- Quick lift pump (up to 120 kg)
- Energy-saving applications (AMX 10e): The maintenance-free gel battery is not raised during lifting



Galvanised and stainless steel.

When your requirements are more specific.

Our complete solutions for your complete intralogistics system

In accordance with this motto, we also offer you stainless steel and galvanised pallet trucks and pedestrian stackers. For any application where hygiene or maximum corrosion protection are required due to hostile environments. Trucks for long-term economic, reliable operation to meet requirements.

Of course, our Jungheinrich customer service engineers play their part too, and we have more than 3,000 of them across Europe. No one knows "their" galvanised or stainless steel trucks like they do.

Stainless steel is food neutral

Stainless steel has a smooth surface that prevents germs and bacteria from gathering and spreading. Unlike traditional steel, the shiny structure of the material is free of pits and grooves.







Galvanised trucks last longer: Our AM G20

Corrosion protection provided by hot-dip galvanisation of the frame: Our AM G20 is particularly suitable for use predominantly outdoors.

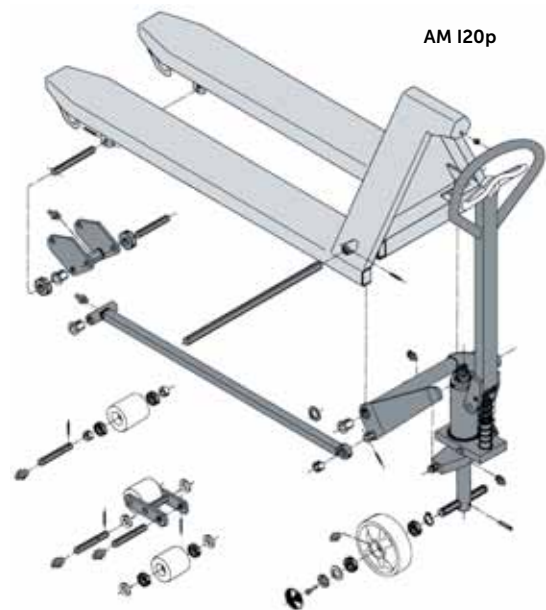
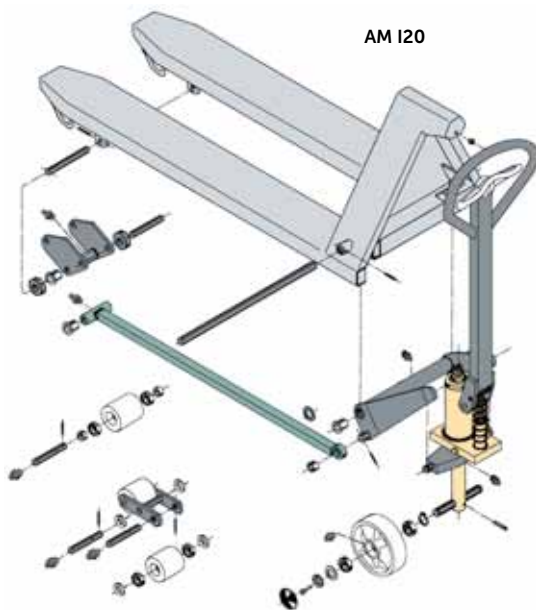
- Hot-dip galvanised frame surfaces
- AM 22 design and controls
- 2,000 kg capacity
- Ideally suited for outdoor use, e.g. at wholesalers or fruit farms, fish markets etc.
- 795/950/1,150 mm fork length



All-round protection: Our AM 120/120p

Are you looking for hand pallet trucks which fulfil the stringent hygiene requirements of the food industry? Or are they for use in the corrosive environments of the chemical and pharmaceutical industry? We can offer you a complete range of hand pallet trucks to meet all your needs. From humidity and corrosion-resistant through to acid-resistant trucks. The AM 120p is also available as an explosion-proof truck for use Zone 1.

- Corrosion and acid-resistant frame with enclosed fork tips
- Designed with cleaning in mind
- Easy pallet entry with brackets
- Food grade lubricant (class H1/H2)
- Grease nipples ensure long service life for all moving components
- Rust-free axles and wheel bearings
- Very short front end dimension of just 340 mm



- Autophoretic coating
- Chromite coating
- Stainless steel (AISI 303/304)
- Acid-resistant stainless steel (AISI 316)

Stainless steel and weighing system: Our AMW I20/I20p

Our AMW Inox and AMW Inox Pro unite the best features in a single truck: Maximum protection provided by stainless steel in combination with mobile weighing technology. This will allow you to weigh your loads precisely even in harsh environments.

AMW I20:

- 4 weighing cells technology
- 1-kg incremental display
- 0.1% deviation from measuring range

AMW I20p:

- Measurement intervals: 0.2 kg (up to 200 kg), 0.5 kg (up to 400 kg), 1 kg (up to 2000 kg)
- Maximum 0.1% deviation from measured weight
- 60 h operating time

Options:

- Unit counting, date and time
- Multi-range display: 0.1 (up to 200 kg), 0.2 (up to 500 kg), 0.5 (up to 2200 kg)
- Integrated printer
- Calibrated version



Stainless steel and scissor lift: Our AMX l10/l10e and l10p/l10ep

The stainless steel versions of our AMX l10/l10e scissor lift pallet trucks are ideal for transporting goods in areas where absolute hygiene is required. The advantages of the stainless steel series really come into their own in humid and harsh environments. Individually adaptable to your needs, you can choose from a number of different versions. Our decades of experience in stainless steel hand pallet trucks is reflected today in completely reliable and thoroughly robust trucks. In meat or fish processing, the chemical or pharmaceuticals sectors, our scissor lift trucks offer you the right solution.

- Corrosion and acid-resistant chassis with encased fork tips
- Designed with cleaning in mind
- Easier pallet entry with skids
- Food grade lubricant (class H1/H2)
- Grease nipples ensure long service life for all moving components
- Rust-free axles and wheel bearings



Do you want to lessen the strain on your operators?

Then choose electric power and lifting.

The next level: Our EME 114 electric pedestrian pallet truck

Our EME 114 is the entry level model in the powered pallet truck range. Its 1-kW drive motor significantly increases load handling (up to 1,400 kg), thereby improving transport efficiency over short and medium distances. The built-in 8 A battery charger provides flexibility for additional energy boosts.

- 1,400 kg capacity
- 1-kW drive motor
- Built-in 8 A battery charger
- Ergonomically designed tiller can be operated with either hand
- Maintenance-free gel fleece battery



Your next step: Our HC 110 electric hand stacker

If you require a hand stacker for occasional stacking at lift heights of 1,600 to 3,000 mm or for the loading and unloading of commercial vehicles, then our HC 110 electric hand stacker is a cost-effective option for you.

Our manually operated HC 110 with electric lift is also used as a work table in many areas. It draws the energy it requires from a maintenance-free lead-acid battery. Its built-in charger ensures comfortable and reliable charging via any standard 230 V socket.





Yes or no?

Investment decisions are simple, but not always straight forward. We compile the facts that make decisions easier for you:

BestInvest

Our hand pallet trucks reduce your long-term operating costs by up to 20 %. With a wide range of technological and ergonomic advantages that reduce all of the expenses making up the Total Cost of Operations (TCO) to minimum levels, from purchase to disposal. We call this promise BestInvest. It helps you transform your costs into profitable investments. So that you can make the best total investment decision.

The right racking for the right truck

We can provide you with the complete solution for this: Integrated warehouse planning, where the racking and the trucks work "hand in hand" as parts of a single system. From project planning through CAD drafting to handover. From modular racking systems through system platforms to high-bay racking. From consultancy through installation to service. We offer a one-stop shop.

A dedicated service network

Service engineers are available for you countrywide in various locations. Each one a Jungheinrich professional: Mechanical engineer, electrician, electronic and hydraulic specialist all rolled into one. And they'll generally be with you within four hours.

In-house financial services

We offer you a wide range of tailored solutions to suit your commercial, financial and balance sheet requirements – even if these should change over time. This will allow you to keep on the move and respond flexibly. Your consultant will be happy to work out which solution is best suited to your needs.

Double digit reduction in CO₂ in ten years

We have drastically reduced the CO₂ emissions for our entire truck range over the last ten years. By more than 25 % for electric and diesel/LPG fork lift trucks. And by more than 35 % for vertical order pickers and narrow aisle/reach trucks. This is thanks to a number of technological innovations, which are currently setting the standards for CO₂ emissions.

Significantly reduced CO₂ emissions also mean reduced energy costs.

Our entire product cycle now features technical innovations for reducing CO₂ emissions, from manufacturing through usage to reconditioning. And our high-tech solutions are really setting standards in the usage phase, which is where 80–90 % of all emissions occur. You can easily use this advantage to your benefit, immediately reducing your energy costs considerably while simultaneously achieving maximum throughput rates.
www.jungheinrich.com/oekobilanz

TÜV-certified product life-cycle assessment


TÜV-Nord has systematically analysed the life-cycle assessment and certified it in accordance with DIN EN ISO 14040, giving us the environmental rating "Geprüfte Produkt-Ökobilanz" [Certified Product Life-cycle Assessment].





Oft. be...
Faktoren
Bewertung (z.B. Risiko)

ISO 9001 The German production
facilities in Norderstedt and
ISO 14001 Moosburg are certified.

 Jungheinrich trucks
conform to the European
Safety Requirements.

Jungheinrich
Vertrieb Deutschland AG & Co. KG

Am Stadtrand 35
22047 Hamburg
Germany
Telephone +49 40 6948-0
Telefax +49 40 6948-1777

info@jungheinrich.com
www.jungheinrich.com

**JUNGHEINRICH**
Machines. Ideas. Solutions.