

Maximum picking performance with the lowest energy consumption

Most powerful motor for highest throughput efficiency

Intuitive operation via jetPILOT multifunctional steering wheel

Individual options for an optimum workstation

Ergonomic order picking with scissor lift for up to two pallets



ECE 320

Horizontal order picker with scissor lift load section (2,000 kg)

The Jungheinrich ECE 320 combines maximum picking performance with optimum energy efficiency and first-class operator comfort. The basis for this is the combination of high technical performance with a number of ergonomic advantages.

Various options packages and the load/steer angle-dependent Curve Control assistance system fully exploit the strengths of the ECE 320: Dynamic acceleration, safe cornering and high maximum speed simultaneously with the best possible energy utilisation.

In addition, there are the advantages of a perfect workstation for comfortable picking: The central operator position is not just characterised by optimum all-round visibility but also by the easy availability of all controls and accessory parts.

The JetPilot multifunctional steering wheel also features:

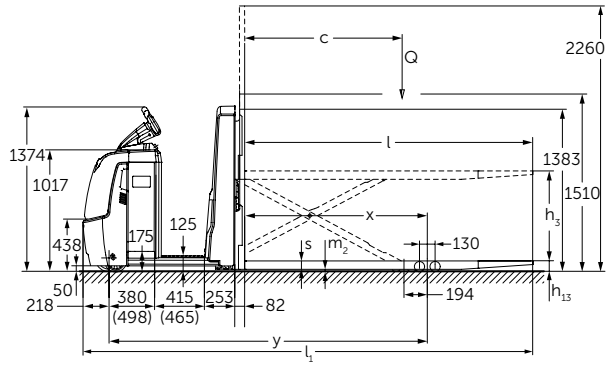
- Intuitive and comfortable operation, similar to a car, plus a safe and secure grip.
- Lessening the strain on neck and spinal column when cornering.
- One-handed operation and automatic return of the steering wheel to straight line travel.
- Adjustable to individual body size.

The comfort features already installed in the standard models and the comprehensive options guarantee appropriate adaptation to suit all applications.

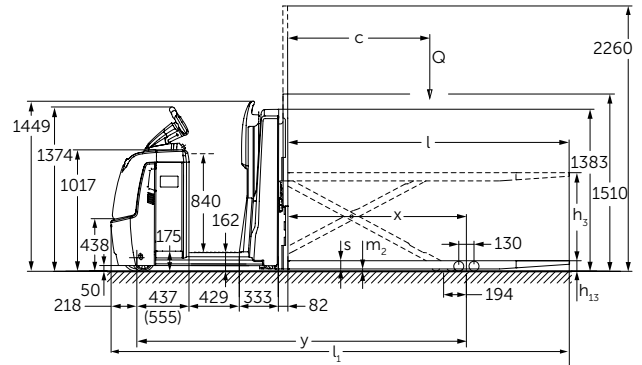
With scissor lift the ECE 320 is able to lift loads of up to 2000 kg on maximum 2 pallets to an ergonomic height of up to 750 mm so that the operator can conveniently deposit the goods at the "right" height.

ECE 320

ECE 320



ECE 320 HP



Dimensions independent of fork length								
Width across forks b_5	Fork length l	Fork overhang	Overall length l_1 1) 2) 3)	Wheelbase y 1) 2) 3)	Turning radius W_a 1) 2) 3)	Load distance x	Aisle width A_{st} 1) 2) 3) 4)	Fork shape
(mm)	(mm)	(mm)	(mm)	mm	mm	mm	mm	
540	2400	878	3747	2652	2869	1522	3947	Round
570	2400	878	3747	2652	2869	1522	3947	Tip
570	2850	1025	4197	2955	3172	1825	4397	Round

¹With XL battery compartment = value + 118 mm

²With option for extended operator position = value + 50 mm

³With the lifting stand-on platform (HP/HP-LJ) = values + 150 mm

⁴ A_{st} value for GL2400 with 2 pallets (2x) 1200x800 mm. All other values without projecting load (fork length = load length)

Technical data in line with VDI 2198

Identification	1.1	Manufacturer (abbreviation)		Jungheinrich	
	1.2	Model		ECE 320 ²⁾	ECE 320 HP ²⁾
	1.3	Drive		Electric	
	1.4	Manual, pedestrian, stand-on, seated, order picker operation		Order pickers	
	1.5	Load capacity/rated load	Q t	2	
	1.6	Load centre distance	c mm	1,200	
	1.8	Load distance	x mm	1,522	
	1.9	Wheelbase	y mm	2,652 ³⁾⁵⁾	2,803 ³⁾⁵⁾
	Weights	2.1.1	Net weight incl. battery (see row 6.5)	kg	1,300
2.2		Axle load with load front/rear	kg	1,120 / 2,180	1,240 / 2,250
2.3		Axle load without load front/rear	kg	900 / 400	1,020 / 470
Wheels / frame	3.1	Tyres		Vulkollan	
	3.2	Tyre size, front	mm	Ø 230 x 78	
	3.3	Tyre size, rear	mm	Ø 85 x 85	
	3.4	Additional wheels (dimensions)	mm	Ø 180 x 65	
	3.5	Wheels, number front/rear (x = driven wheels)		1+1x/4	
	3.6	Tread width, front	b ₁₀ mm	481	
	3.7	Tread width, rear	b ₁₁ mm	345 / 375	
Basic dimensions	4.4	Lift	h ₃ mm	750	
	4.9	Height of tiller in drive position min. / max.	h ₁₄ mm	1,374 / 1,418	
	4.15	Height, lowered	h ₁₃ mm	90	
	4.19	Overall length	l ₁ mm	3,747 ³⁾⁵⁾	3,897 ³⁾⁵⁾
	4.20	Length to face of forks	l ₂ mm	1,347 ³⁾⁵⁾	1,497 ³⁾⁵⁾
	4.21	Overall width	b ₁ /b ₂ mm	810	
	4.22	Fork dimensions	s/e/l mm	70 / 195 / 2,400	
	4.25	Width across forks	b ₅ mm	540 / 570	
	4.32	Ground clearance, centre of wheelbase	m ₂ mm	20	
	4.34	Aisle width for pallets 800 x 1200 lengthways	Ast mm	3,947 ³⁾⁵⁾	4,097 ³⁾⁵⁾
4.35	Turning radius	W _a mm	2,869 ³⁾⁵⁾	3,019 ³⁾⁵⁾	
Performance data	5.1	Travel speed laden/unladen - Efficiency	km/h	9.5 / 12.5	
		Travel speed, laden/unladen - Drive (& Eco) Plus	km/h	9.5 / 14	
	5.2	Lift speed, laden/unladen	m/s	0.09 / 0.16	
	5.3	Lowering speed, laden/unladen	m/s	0.11 / 0.11	
	5.8	Max. gradeability, laden/unladen	%	6 / 15	
	5.10	Service brake		regenerative	
Electrics	6.1	Drive motor, rating S2 60 min. – Efficiency/Drive Plus - Drive & ECO Plus	kW	2.8 / 3.2	
	6.2	Lift motor rating at S3 10%	kW	1.5	
	6.3	Battery as per DIN 43531 /35/36 A, B, C, no		no	
	6.4	Battery voltage/nominal capacity K5	V/Ah	24 / 465 ⁴⁾	
	6.5	Battery weight	kg	370 ⁴⁾	
	6.6	Energy consumption according to VDI cycle Efficiency/ Drive & Eco Plus	kWh/h	0.78 / 0.86	0.79 / 0.87
	6.7	Efficiency/Drive Plus throughput	t/h	99 / 104	98 / 104
	6.8	Energy consumption at max. Efficiency/Drive Plus throughput	kWh/h	1.52 / 1.72	1.52 / 1.78
Misc.	8.1	Type of drive control		AC SpeedControl	
	8.4	Sound pressure level at operator's ear as per EN 12053	dB (A)	62	
	8.6	Steering		Electric steering	

¹⁾ Diagonal in accordance with VDI = value + 200 mm

²⁾ Values for battery compartment L, standard stand-on platform and fork length = 2400 mm

³⁾ With option for extended operator position = value + 50 mm

⁴⁾ With XL battery compartment: 24 V / 620 Ah

⁵⁾ With XL battery compartment = value + 118 mm

Benefit from the advantages



Scissor lift for order picking at an ergonomic height



jetPILOT – exclusive to Jungheinrich



Lifting and lowering from the backrest



Lifting stand-on platform (HP-LJ) for order picking from the 2nd racking level (optional)

Powerful and efficient drive concept

- Powerful acceleration and high top speed.
- Safe cornering speed due to Curve Control (optional).
- Optional 'Drive Plus' option package with highly efficient 3.2-kW motor for even greater drive and acceleration performance with load-dependent Curve Control.
- Optional 'Drive & Eco Plus' option package for additional energy savings.

Perfect workstation for maximum picking performance

- Generous space, even for tall operators.
- Diverse and individualised storage options such as the shrink wrap holder on the front cover.
- Additional cushioned stand-on platform (optional).
- Touch mode in the backrest for faster order picking (optional).
- Scissor lift for ergonomic order picking, raising max. 2 pallets weighing up to 2 tonnes to a maximum height of 750 mm.
- Automatic pallet lowering to the optimum height (optional).

Rugged construction for the toughest applications

- Impact-resistant steel drive panel.
- Extra-high frame apron in high-grade steel on front cover.

Comfortable and safe order picking

The hydraulic lifting stand-on platform (HP) offers the best solution for frequent order picking from the second racking level (optional):

- Safe and rapid raising and lowering of the operator, up to the height of the battery lid.
- Effortless operation of platform via foot pedal, leaving hands free for order picking.
- High degree of order picking efficiency due to immediate proximity of operator to load.
- The JetPilot can be raised together with the platform (HP-LJ), allowing for positioning of the truck even with a raised platform (optional).

Long operating times

Energy-efficient 3-phase AC technology and high battery capacities allow for long operating times:

- Different batteries available from 375-620 Ah.
- Lateral battery exchange for multi-shift applications (optional).

Complete overview provided by central display and clear instruments

- Activation of the truck by EasyAccess via softkey, PIN code or transponder card (optional).

- The 2-inch display provides information on the battery discharge status, number of operating hours, travel speed as well as error codes and offers the option of selecting from three travel programs via softkey (optional).

Better to see and be seen

- Integrated day LED front spotlight for better visibility in poorly lit halls (optional).
- Floor spot: The risk of collision at blind spots is significantly reduced by a red light spot projected on the floor approximately 3 m in front of the truck (optional).

Lithium-ion technology

- High truck availability due to extremely short charging times: After a boost charging time of just 30 minutes, the battery is charged to 50% and after 80 minutes to 100%.
- No battery changing necessary.
- Costs are saved due to longer service life and low maintenance compared with lead-acid batteries.
- No charging rooms and ventilation required as there is no build up of gas.

Additional equipment

- Comprehensive accessories allow for individual tailoring to your requirements:
- Sturdy, universally applicable options bracket, e.g. for radio data transmission components.
 - Additional accessories for working at the second rack-level.

Jungheinrich Aktiengesellschaft

Friedrich-Ebert-Damm 129
D-22047 Hamburg
Telephone +49 40 6948-0
Telefax +49 40 6948-1777

info@jungheinrich.com
www.jungheinrich.com

The German production facilities in Norderstedt, Moosburg and Landsberg are certified.

ISO 9001
ISO 14001

Jungheinrich fork lift trucks meet European safety requirements.



JUNGHEINRICH
Machines. Ideas. Solutions.