

Precise weighing technology for warehouses, manufacturing and shipping

4 evenly positioned weighing cells provide the technology for accurate weighing of materials

Wide variations for almost every weighing application

Left and right-hand controls



## AMW 22/22p

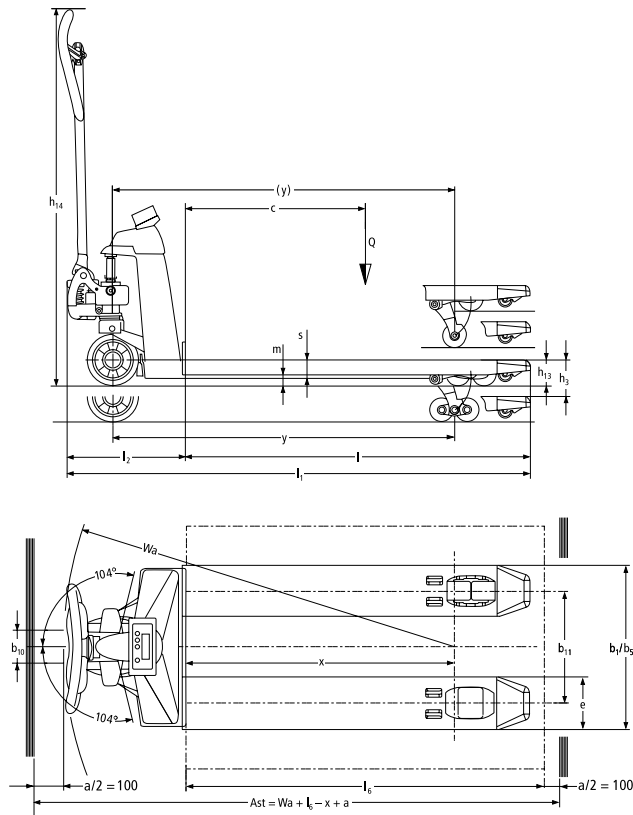
### Hand pallet truck with weighing system (2,200 kg)

The AMW 22 and AMW 22p hand pallet trucks are mobile weighing systems for warehouses, production and dispatch. Wherever goods need to be weighed and transported, their ability to take the 'scales to the goods' makes these trucks the perfect solution. For example, the basic AMW 22 model is appropriate for any area of application, offering efficient and precise weighing with its 4 weighing cell technology. A 1 kg incremental display and

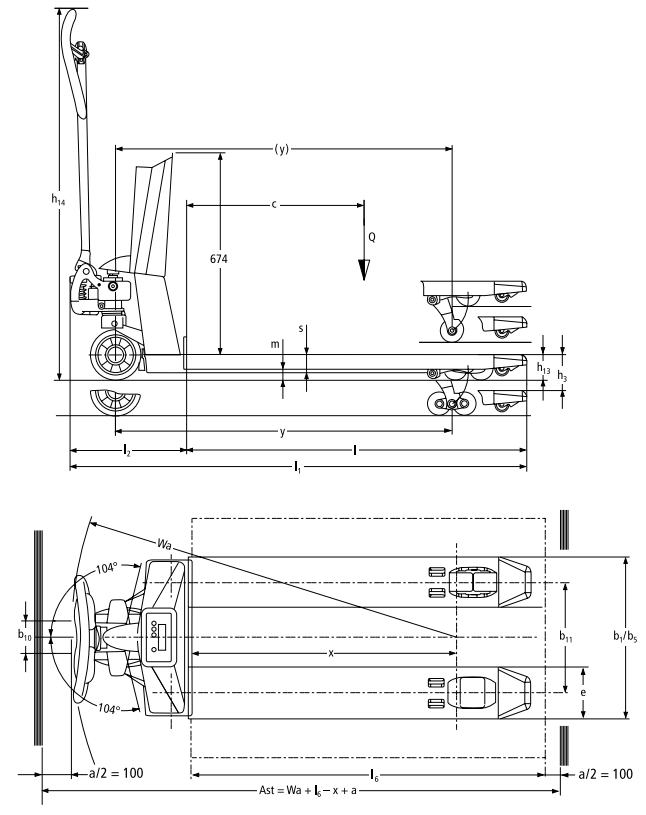
max. 0.1% deviation from the measuring range is the correct solution for many applications. The AMW 22p is even more professional. Its range of functions makes this weighing pallet truck ideally suited to any application. A convenient multi-range display, maximum precision (at least 99.9% of the weighed load), the wide range of possible options and the well designed battery removal module make the AMW 22p a top-class truck.

# AMW 22/22p

AMW 22



AMW 22p



# Technical data in line with VDI 2198

				Jungheinrich		
				AMW 22	AMW 22p	
Identification	1.1	Manufacturer (abbreviation)				
	1.2	Model				
	1.3	Drive		manual		
	1.4	Manual, pedestrian, stand-on, seated, order picker operation		hand		
	1.5	Load capacity/rated load	Q	t	2.2	
	1.6	Load centre distance	c	mm	600	
	1.8	Load distance	x	mm	890	
	1.9	Wheelbase	y	mm	1,110	
	Weights	2.1	Service weight		99	102
2.2		Axle load with load front/rear		578 / 1,721 <sup>1)</sup>		
2.3		Axle load without load front/rear		61 / 38		
Wheels / frame	3.1	Tyres		C,V		
	3.2	Tyre size, front		Ø 170x50		
	3.3	Tyre size, rear		Ø 82x96 <sup>2)</sup>		
	3.5	Wheels, number front/rear (x = driven wheels)		2/2 or 2/4		
	3.6	Tread width, front	b <sub>10</sub>	mm	109	
	3.7	Tread width, rear	b <sub>11</sub>	mm	370	
	Basic dimensions	4.4	Lift		h <sub>3</sub> mm 122	
4.9		Height of tiller in drive position min. / max.		h <sub>14</sub> mm 1,234		
4.15		Height, lowered		h <sub>13</sub> mm 86		
4.19		Overall length		l <sub>1</sub> mm 1,546		
4.20		Length to face of forks		l <sub>2</sub> mm 396		
4.21		Overall width		b <sub>1</sub> /b <sub>2</sub> mm 540		
4.22		Fork dimensions		s/e/l mm 62 / 170 / 1,150		
4.25		Width across forks		b <sub>5</sub> mm 540		
4.32		Ground clearance, centre of wheelbase		m <sub>2</sub> mm 24		
4.33		Aisle width for pallets 1000 x 1200 sideways		Ast mm 1,763		
4.34		Aisle width for pallets 800 x 1200 lengthways		Ast mm 1,813		
4.35	Turning radius		W <sub>a</sub> mm 1,303			
Performance data	5.3	Lowering speed, laden/unladen		m/s 0.09 / 0.02		
Electrics	6.4	Battery voltage/nominal capacity K5		4 x 1,5	12 / 1.2	

<sup>1)</sup> AMW 22p

<sup>2)</sup> Ø 82x62 mm tandem tyres

# Benefit from the advantages



AMW 22 – display/operation



Efficient weighing with the AMW 22



AMW 22p – display/operation



Maximum precision with the AMW 22p

## Easy to operate

The easy to operate handle is suitable for both left and right-handers. The special lowering valve enables loads to be lowered precisely. The standard fast lift (up to 120 kg) ensures that Euro pallets can be lifted clear of the floor with only 3 pump strokes. Maximum lift height is achieved in only 5 pump strokes.

## Maximum precision

The weighing cells are positioned at the four end points of the forks and ensure extremely precise weight recording up to a slanting position of 2°.

## Thoroughly robust

Maximum stability is achieved through the well proven fork construction. Electronics and display are protected against dust and water (protection class IP 65).

## Application-specific configuration

Two different models of the pallet truck with weighing device are available to ensure an application-specific, cost-effective solution for every application.

## Performance characteristics of the AMW 22:

- 2200 kg weighing capacity.
- Fast lift.
- 1 kg display increments across the entire measuring range up to 2200 kg.
- Maximum 0.1% deviation from measuring range.
- Protected against moisture and dust (IP 65 rating).
- Automatic zero adjustment, also via keypad.
- Taring over the full weighing range.
- Addition memory and number of weighing processes.
- Power supply from 4 x AA / 1.5 volt batteries sufficient for approx. 1700 weighing processes.
- Automatic shutdown if not used for 3 minutes.

## AMW 22p performance characteristics:

- 2200 kg weighing capacity.
- After confirming the weight, the LC display is automatically adjusted to the lower weight.
- Maximum 0.1% deviation from measured weight.

- Protected against moisture and dust (IP 65 rating).
- Plug-in battery module with 12 V / 1.2 Ah including charger.
- 60 h operating time.
- Automatic switch-off after 30 minutes without activity.
- Automatic multi-range display:

Measuring interval	Measuring range
0.2 kg	up to 200 kg
0.5 kg	up to 500 kg
1.0 kg	up to 2200 kg

## Special equipment for the AMW 22p:

- Special functions option
- Calibrated designs grade III (EU registration no. T2782).
- Additional battery change module.
- Integrated printer.
- Special fork dimensions.
- Wheel brake and parking brake, foot brake.
- Anti-static steering wheel.
- Sensitive multi-range display:

Measuring interval	Measuring range
0.1 kg	up to 200 kg
0.2 kg	up to 500 kg
0.5 kg	up to 2200 kg

## Jungheinrich UK Ltd.

Head Office:  
 Sherbourne House  
 Sherbourne Drive  
 Tilbrook  
 Milton Keynes MK7 8HX  
 Telephone 01908 363100  
 Fax 01908 363180

info@jungheinrich.co.uk  
 www.jungheinrich.co.uk

The German production facilities in Norderstedt, Moosburg and Landsberg are certified.

ISO 9001  
 ISO 14001

Jungheinrich fork lift trucks meet European safety requirements.



**JUNGHEINRICH**  
 Machines. Ideas. Solutions.